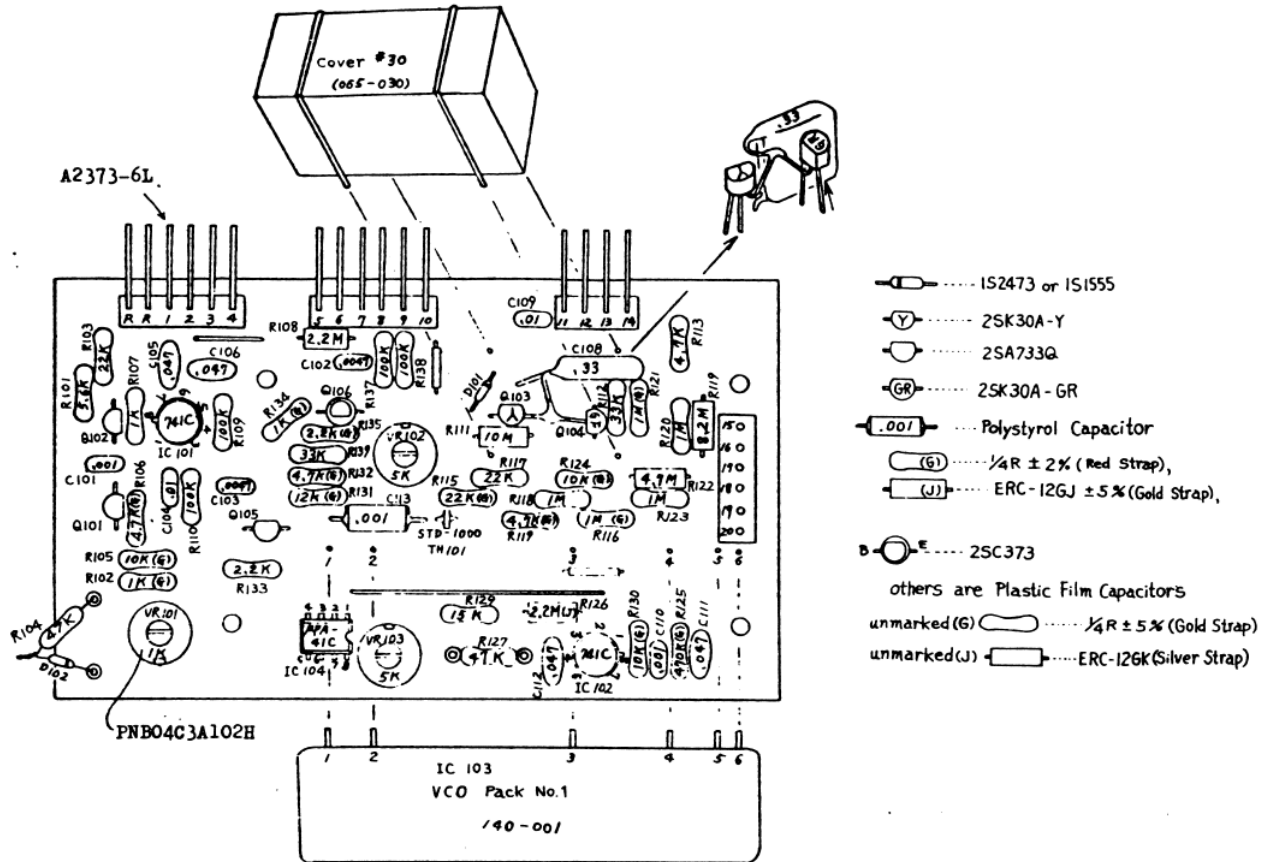
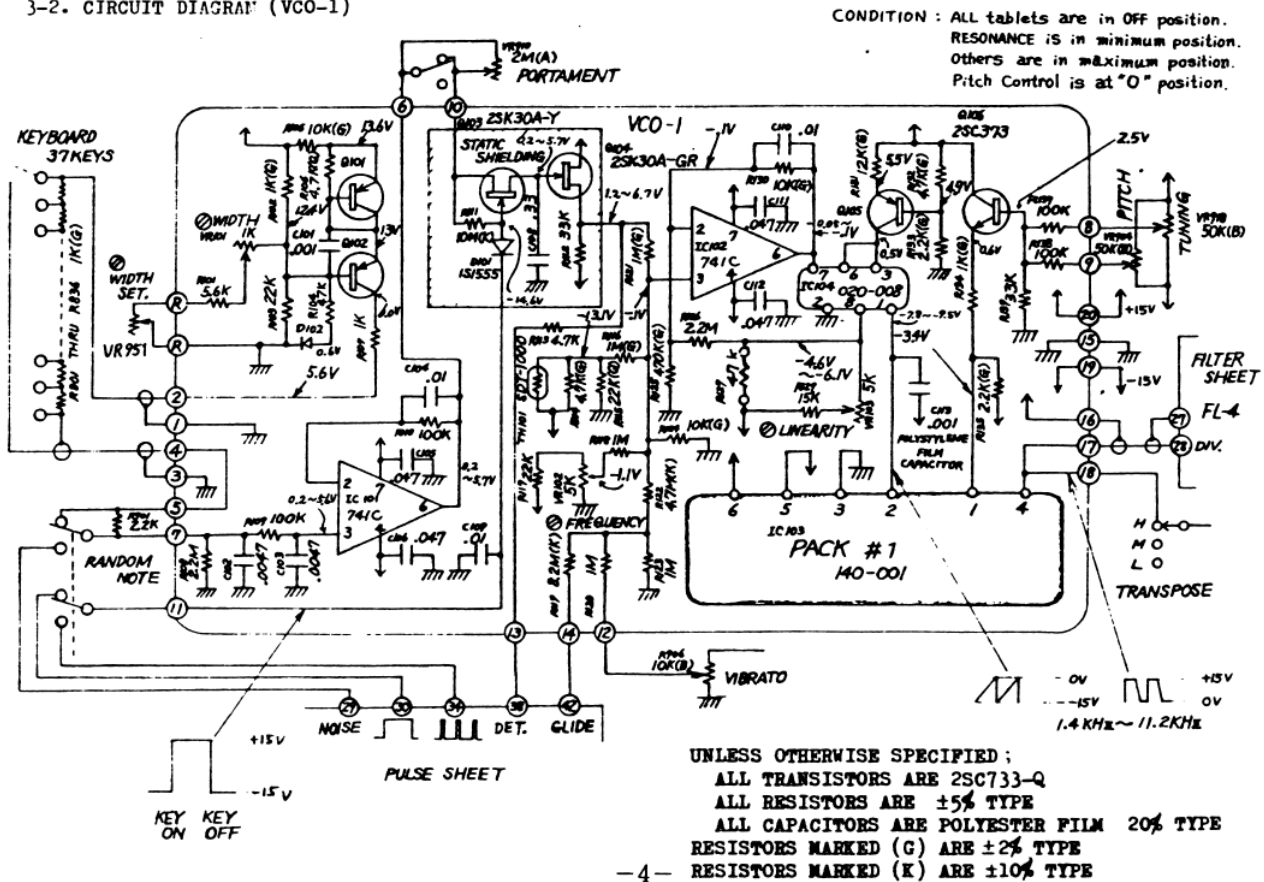


3. VCO SHEET ASSEMBLY (VCO-1)
3-1. PARTS LAYOUT

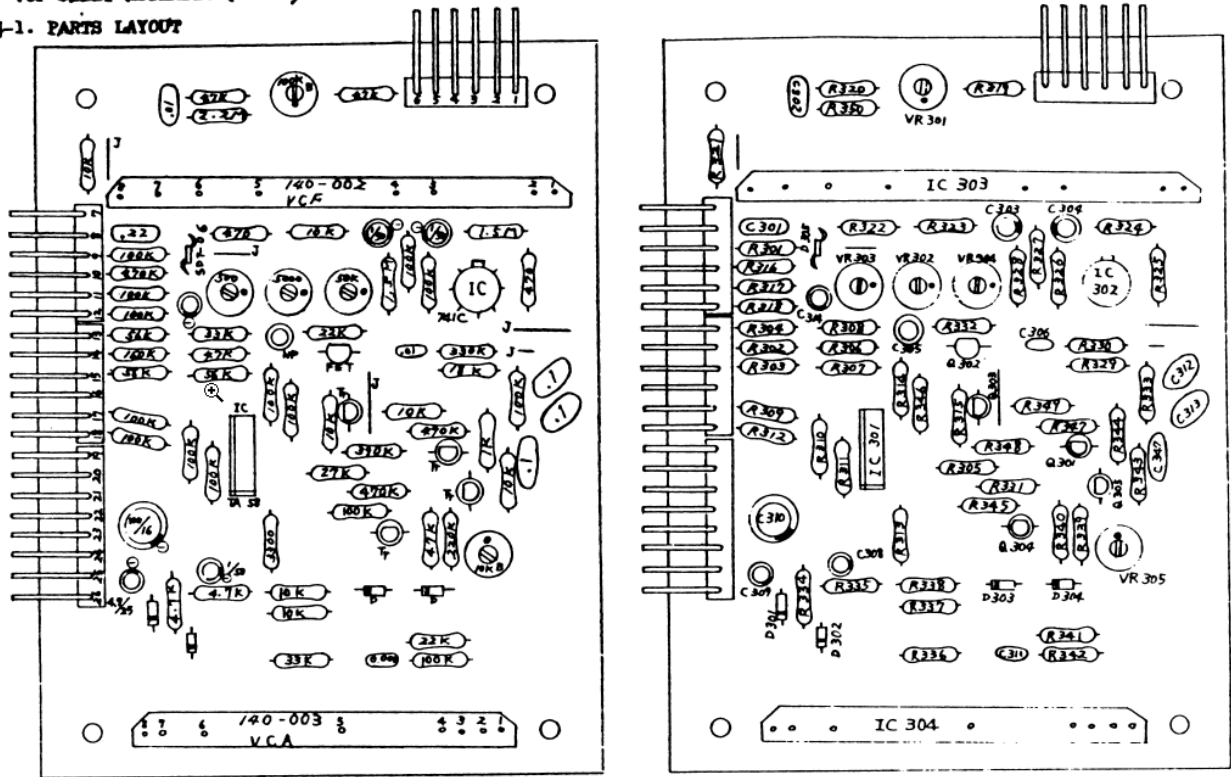


3-2. CIRCUIT DIAGRAM (VCO-1)



4. VCF SHEET ASSEMBLY (VCF-1)

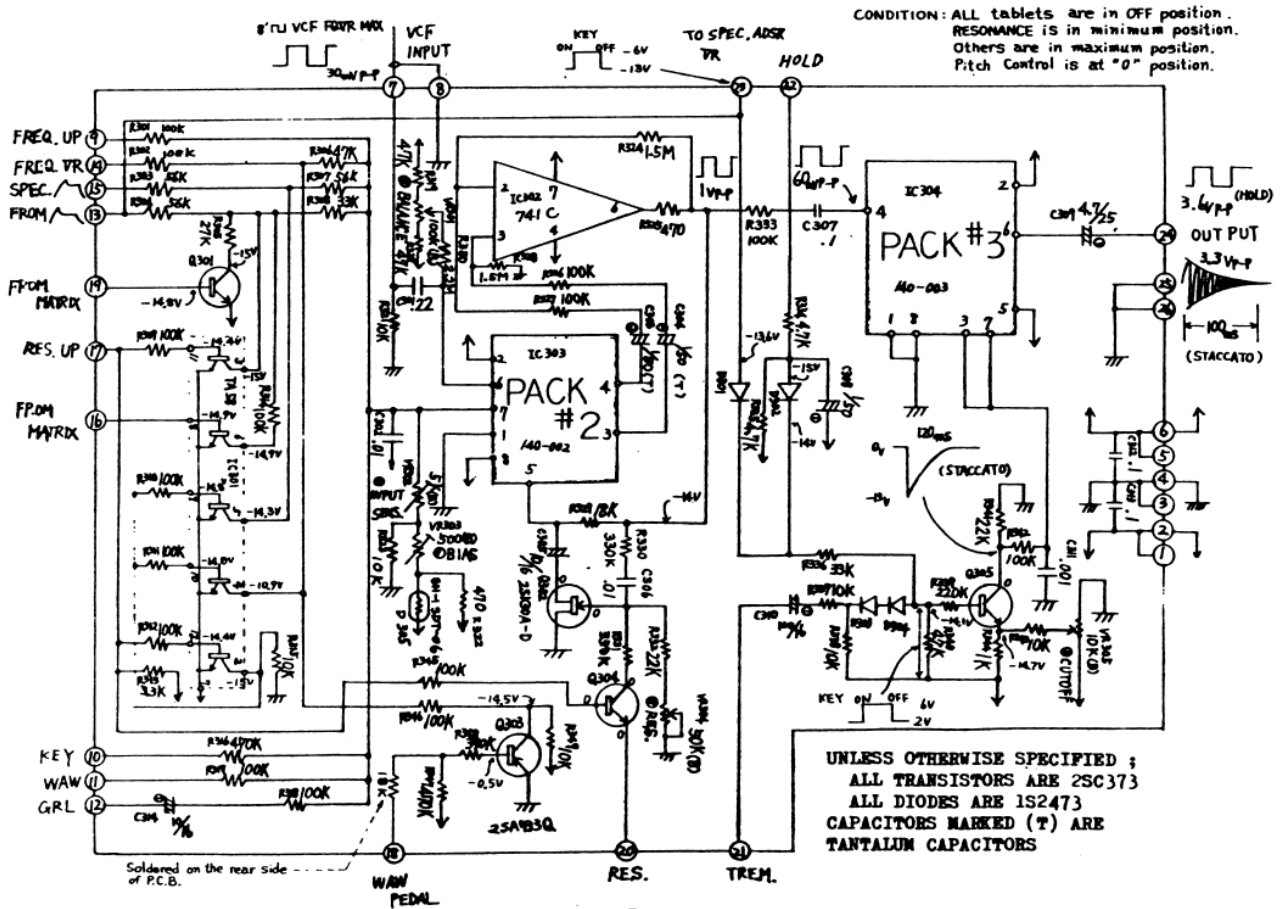
4-1. PARTS LAYOUT

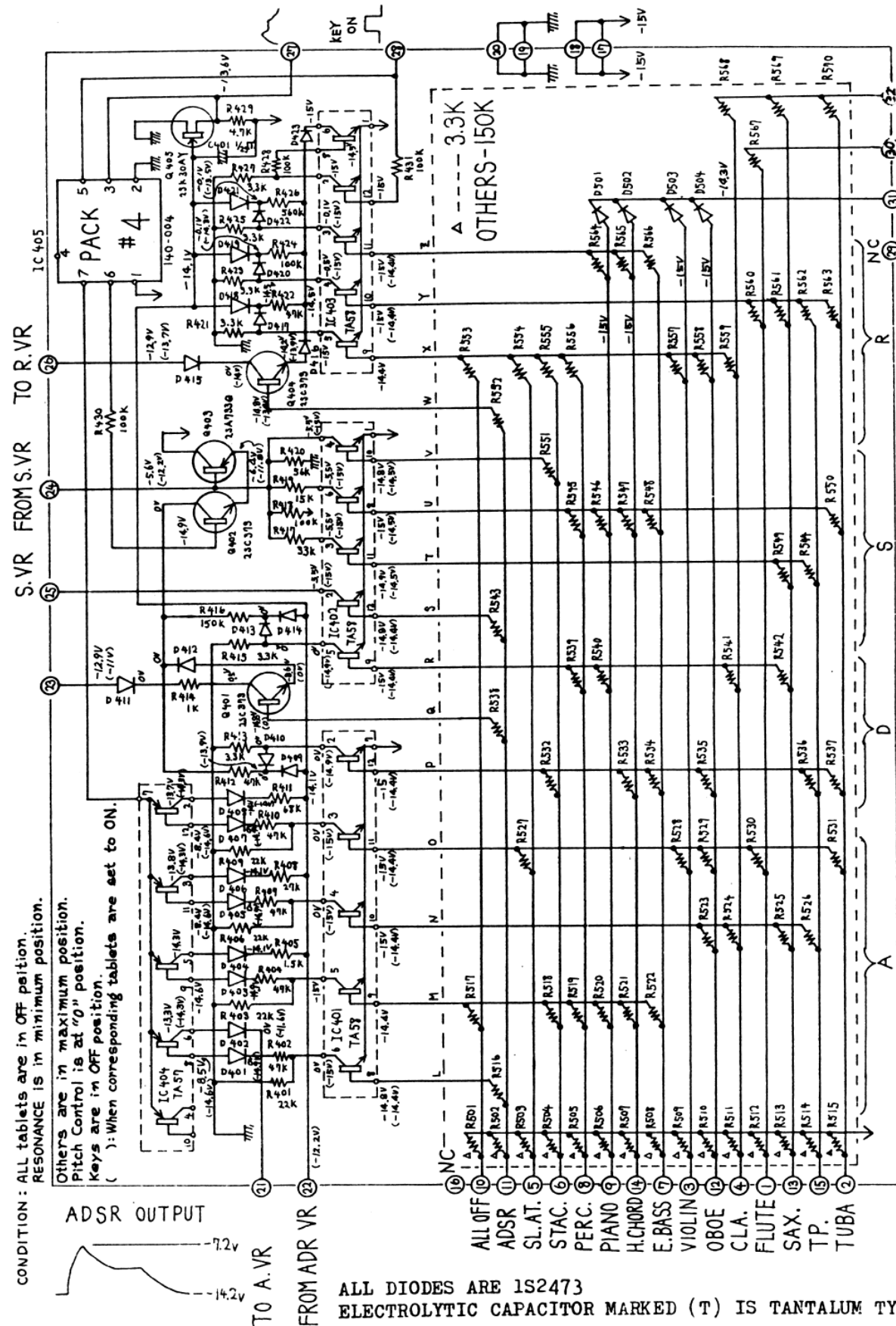


FET : 2SK-30AD D : 1S-1555 or 1S-2473
Tr : 2SC-828R or 2SC-373

NP : NON polar Electrolytic Capacitor

4-2. CIRCUIT DIAGRAM (VCF-1)

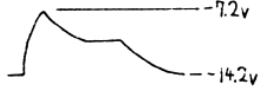




S.VR FROM S.VR TO R.VR

CONDITION: ALL tablets are in OFF position.
 RESONANCE IS in minimum position.
 Others are in maximum position.
 Pitch Control is at "0" position.
 Keys are in OFF position.
 (): When corresponding tablets are set to ON.

ADSR OUTPUT



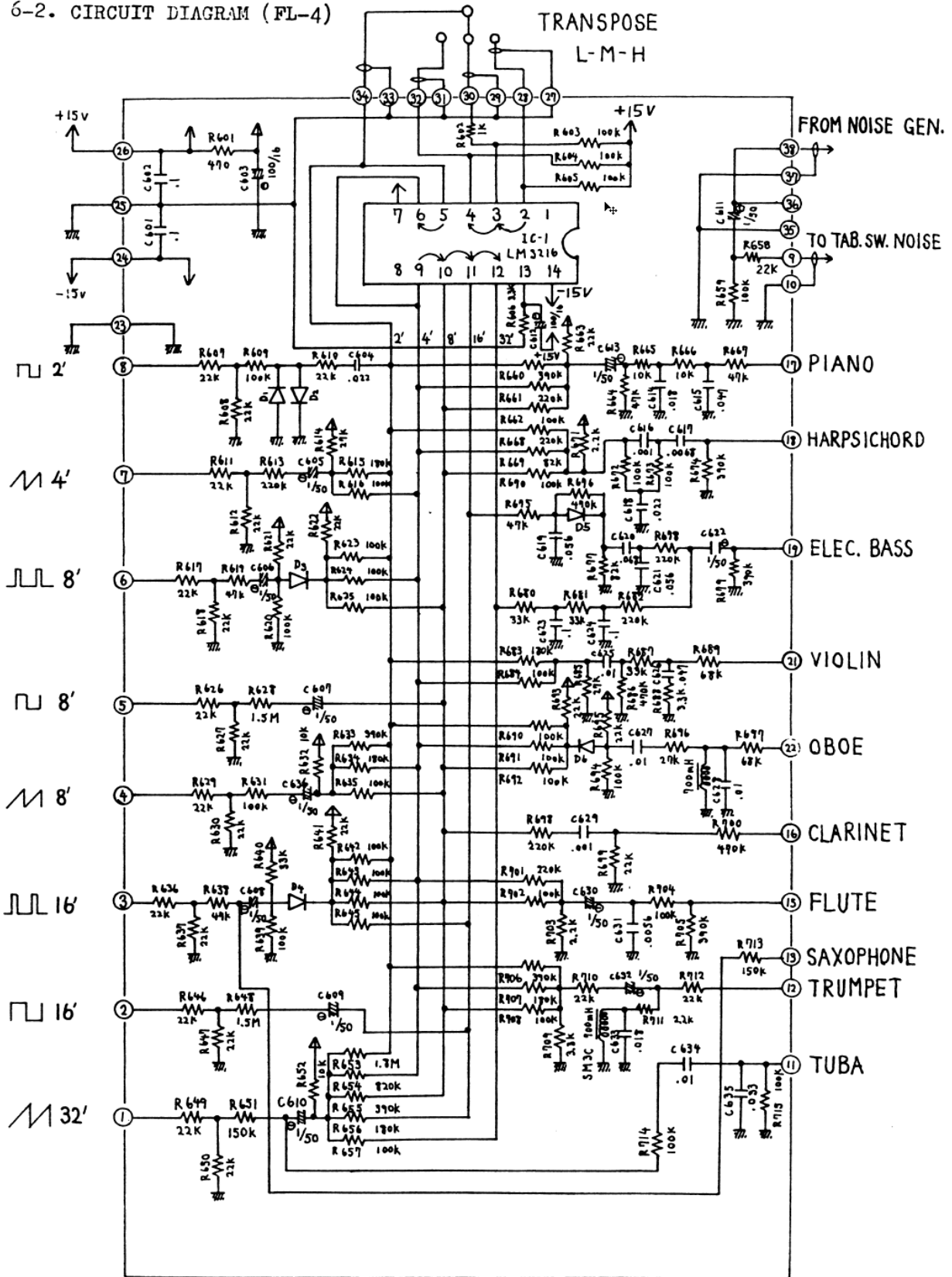
ALL DIODES ARE 1S2473
 ELECTROLYTIC CAPACITOR MARKED (T) IS TANTALUM TYPE

3.3K
 OTHERS -150K

- NC
- ALL OFF
- ADSR
- SL.AT.
- STAC.
- PERC.
- PIANO
- H.CHORD
- E.BASS
- VIOLIN
- OBOE
- CLA.
- FLUTE
- SAX.
- TP.
- TUBA

TO VCF TO VCF
 F.U.P # 19 # 15

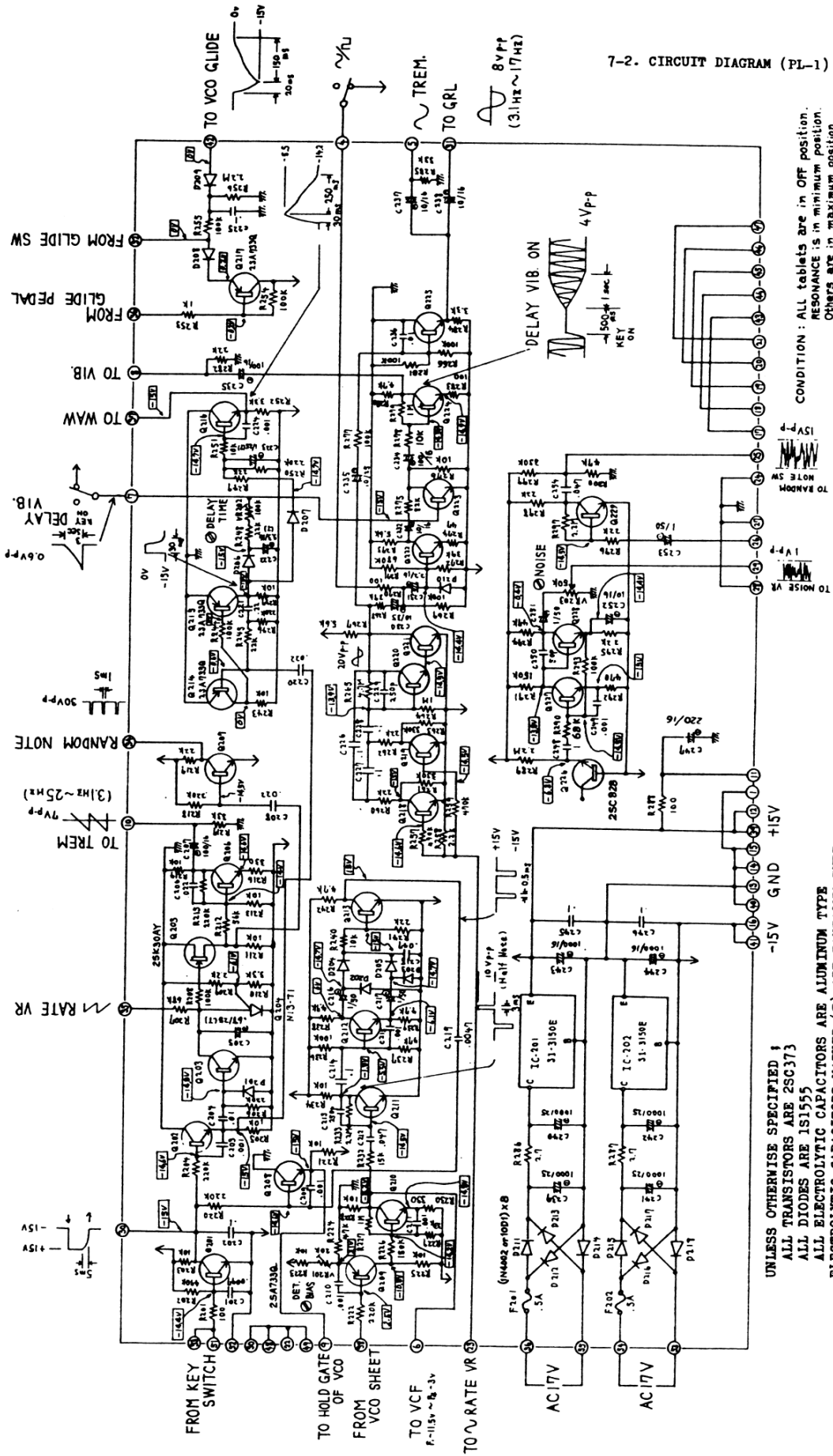
6-2. CIRCUIT DIAGRAM (FL-4)



UNLESS OTHERWISE SPECIFIED :

ALL RESISTORS ARE $\pm 10\%$ TYPE, ALL DIODES ARE 1S2473
 ALL CAPACITORS ARE POLYESTER FILM $\pm 20\%$ TYPE

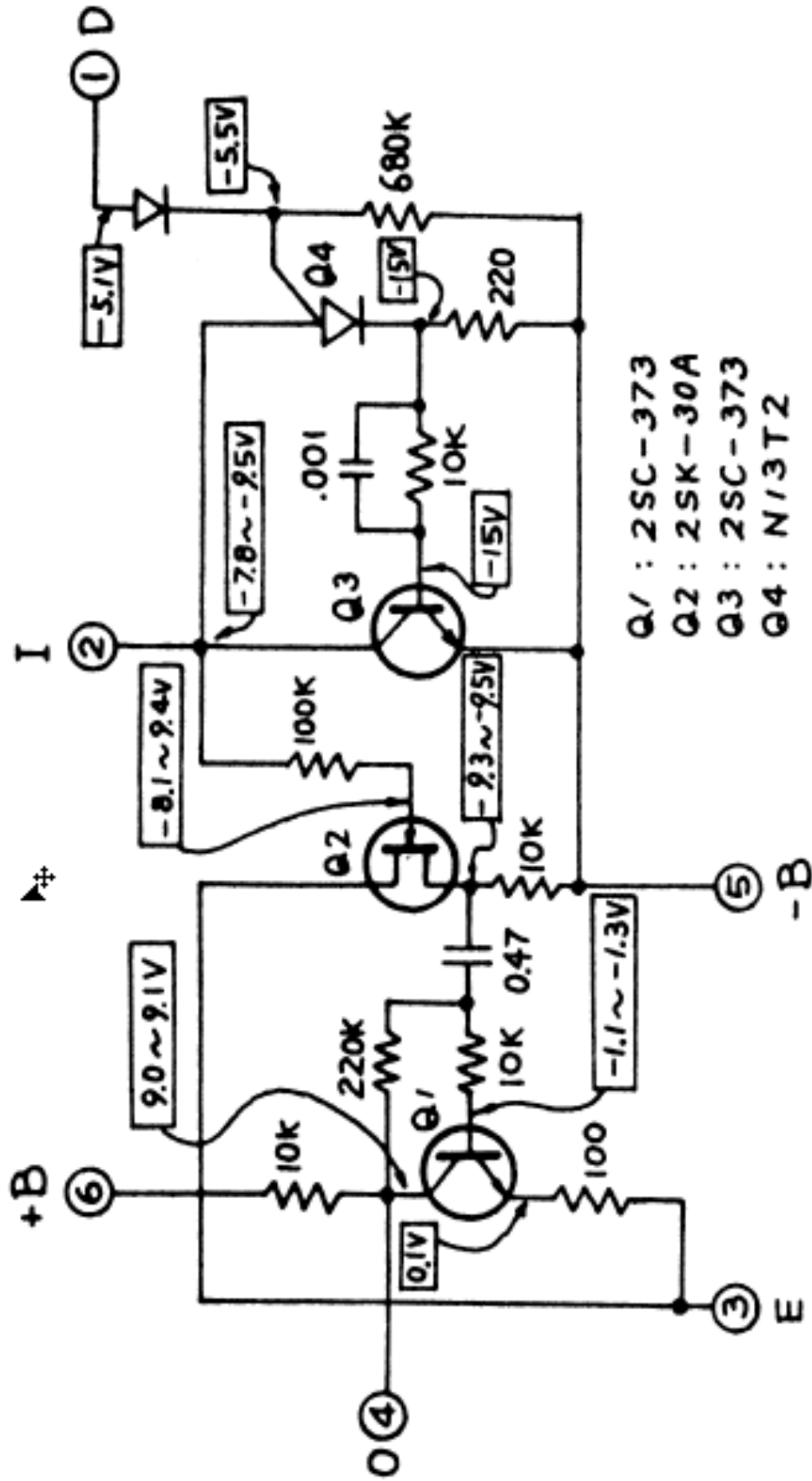
7-2. CIRCUIT DIAGRAM (PL-1)



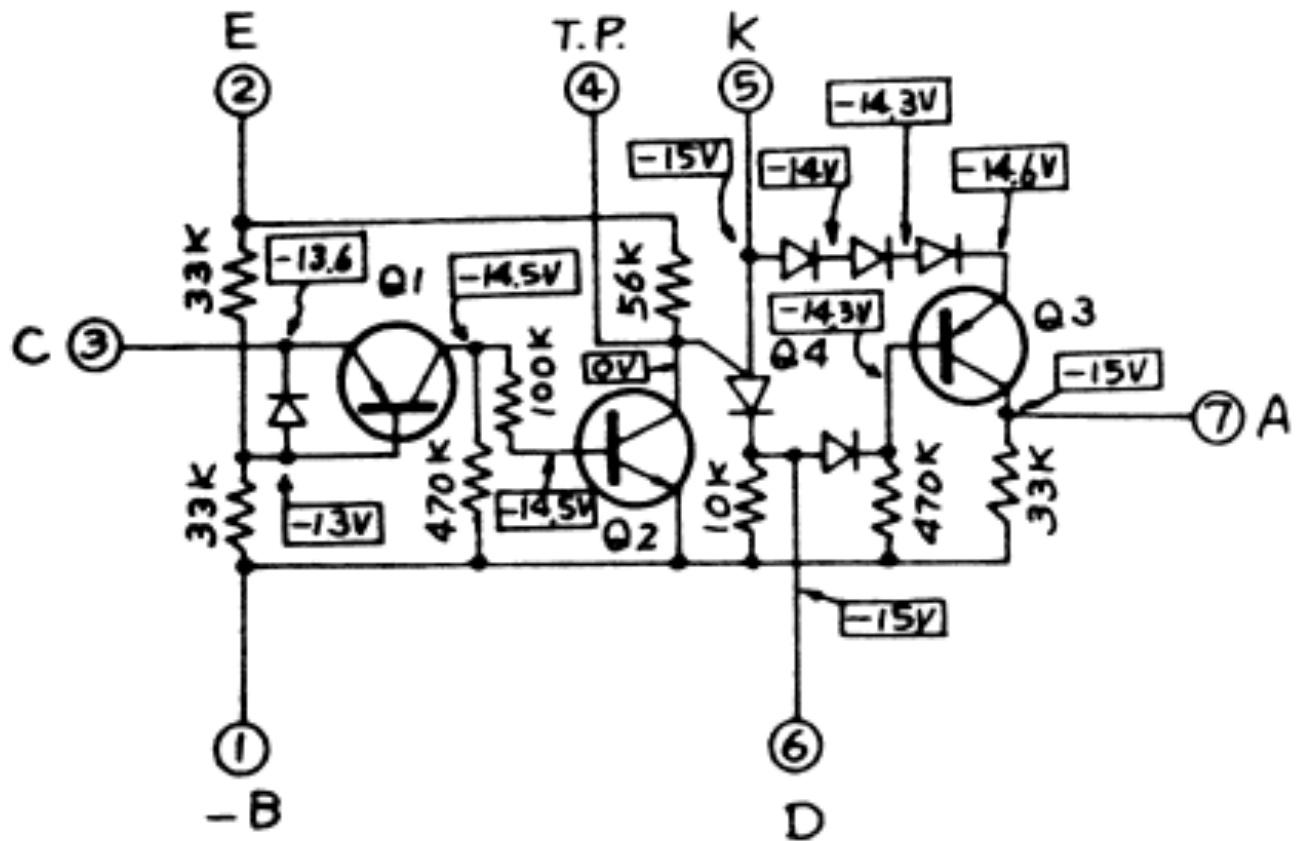
CONDITION : ALL tablets are in OFF position.
 RESONANCE is in minimum position.
 Others are in maximum position.
 Pitch Control is at "0" position.

UNLESS OTHERWISE SPECIFIED :
 ALL TRANSISTORS ARE 2SC373
 ALL DIODES ARE 1S1555
 ALL ELECTROLYTIC CAPACITORS ARE ALUMINUM TYPE
 ELECTROLYTIC CAPACITORS MARKED (T) ARE TANTALUM TYPE

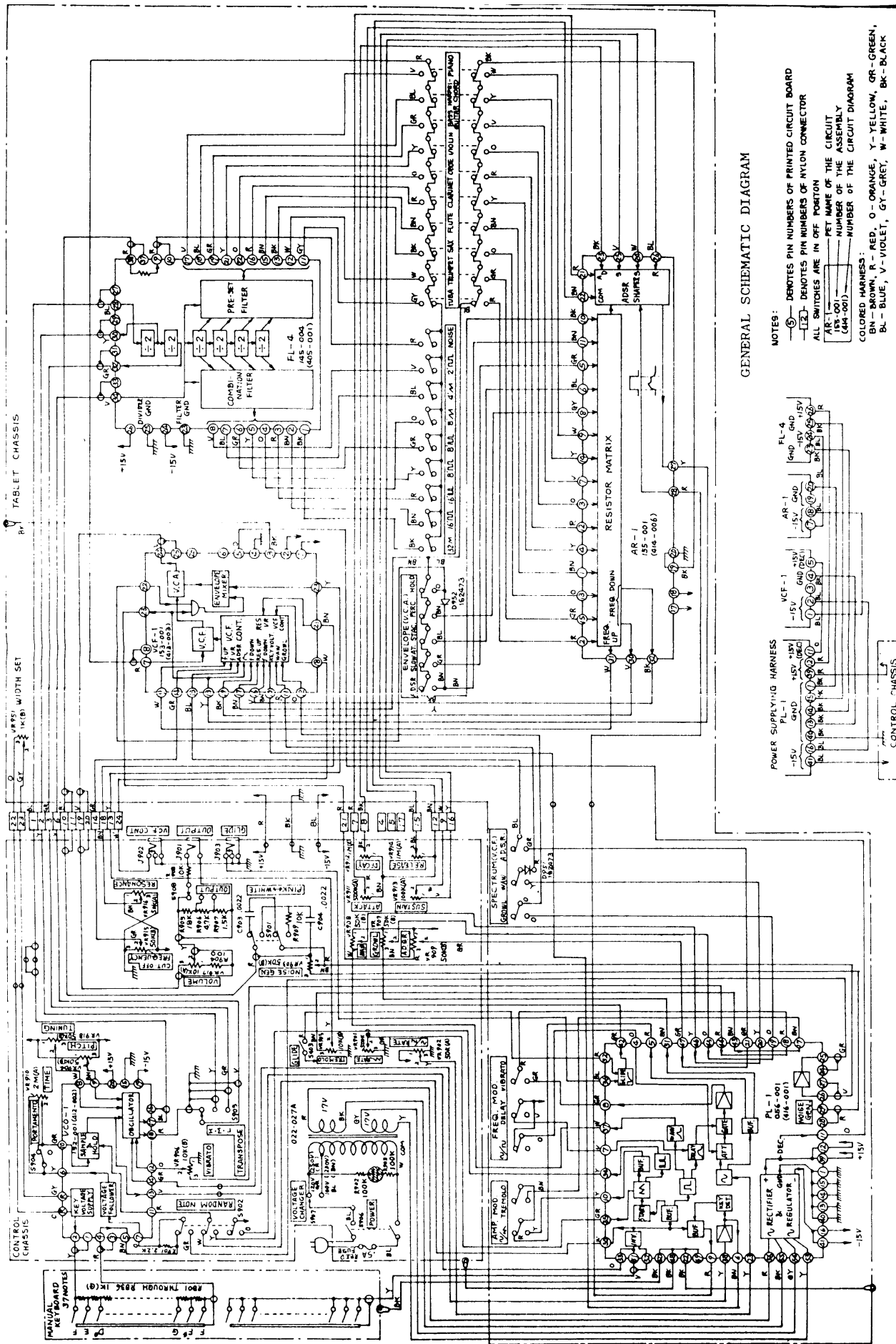
8-1. PACK No.1



3-4. PACK No.4



- Q1, Q3 : 2SA733A
 Q2 : 2SC373
 Q4 : N/3T1



GENERAL SCHEMATIC DIAGRAM

- NOTES:
- ⊙ DENOTES PIN NUMBERS OF PRINTED CIRCUIT BOARD
 - ⊠ DENOTES PIN NUMBERS OF NYLON CONNECTOR
 - ALL SWITCHES ARE IN OFF POSITION
 - AR-1 PET NAME OF THE ASSEMBLY
 - 100-001 NUMBER OF THE CIRCUIT
 - 100-002 NUMBER OF THE CIRCUIT DIAGRAM
- COLORS WARRNESS:
- BN - BROWN, R - RED, O - ORANGE, Y - YELLOW, GR - GREEN,
 - BL - BLUE, V - VIOLET, GY - GREY, W - WHITE, BK - BLACK

